

Movidius Smart Camera

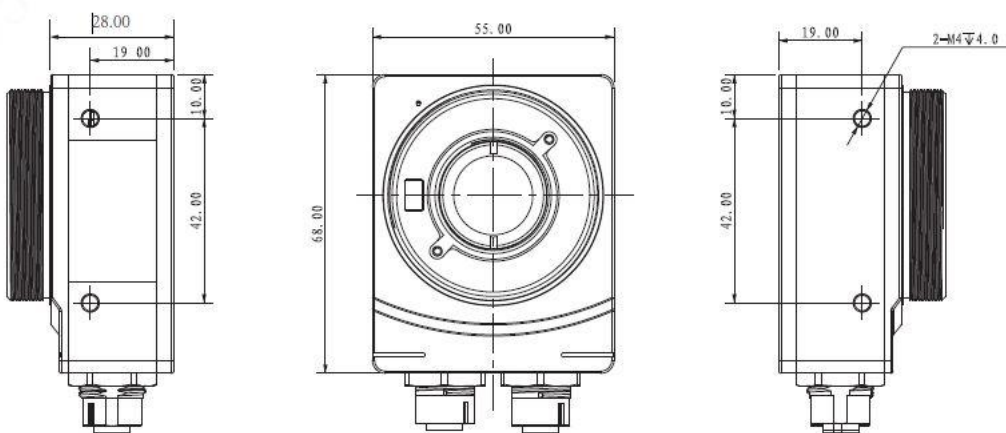
S5051MG000E

Product Features

- Rolling shutter, CMOS series products;
- 512MB RAM and 512MB non-flashable memory;
- Support Software Trigger/Hardware Trigger/Free Run Mode;
- GigE industrial Ethernet interface;
- Abundant I/O interfaces, RS232, isolated input & output;
- Industrial grade M12 connector, IP67 protection;
- Support DC8V~26V wide voltage power supply, adapt to industrial DC12V/24V voltage environments;
- Abundant code reading types, Code128 /EAN, DM/QR, etc.;



Dimensions (mm)



Technical Specifications

| Model Name | S5051MG000E |
|------------------------|---|
| Sensor | 1/3.6" CMOS |
| Shutter | Global |
| Resolution | 800 x 600 |
| Frame Rate | 60fps |
| Mono/Color | Mono |
| Pixel Size | 4.8 x 4.8 |
| Lens Mount | C-mount |
| Function | Abundant code reading types (Code128/Code39/Code93/EAN etc.; QR/DM/Vericode etc.) |
| Connector | 2 industrial M12 connectors, for Ethernet and GPIO |
| Ethernet | Code-A, GigE |
| Software | SVStudio |
| Sync Mode | Software Trigger/Hardware Trigger/Free Run Mode |
| LED Indicator | Power, Network, Trigger |
| Communication Mode | RS232, Ethernet |
| Communication Protocol | SDK, Serial, TCPServer, TCPClient, Profinet, Modbus TCP |
| GPIO | 12-pin I/O interface, RS232, 1x Opto-isolated input, 3x Opto-isolated output |
| Power Supply | DC 8V~26V wide voltage input, adapt to industrial DC12V/24V voltage environments |
| Power Consumption | 4.0W |
| Product Dimensions | 68mm x 55mm x 28mm (Non including lens mount and rear case connector) |
| Protection | IP67 (with the proper lens cover installed correctly) |
| Shell material | Aluminum alloy |
| Weight | <200g |
| Temperature | Storage: - 30°C~+80°C; Operation: - 20°C~+50°C |
| Operating Humidity | 20% ~ 95%, No condensing (with the proper lens cover installed correctly) |
| Certifications | CE, FCC, KC |

© 2021 IRAYPLE. All rights reserved. Design and specifications are subject to change without notice.
Pictures in the document are for reference only, and the actual product shall prevail.